

**PROFESSIONAL GRADE HYDROTHERAPY BATHS FOR UPPER, LOWER EXTREMITIES, PELVIC AREA  
TREATMENTS (SITZ BATH). LOW STOOL.**



**EFFECTIVE  
JANUARY 2017.**

**NOTE: SOME EXTREMITIES BATHS MAY BE SHOWN WITH OPTIONAL EQUIPMENT.  
SEE RMS® PRESENTATION AT: [HTTP://RELAXMEDSYST.COM/PRESENTATION/](http://relaxmedsyst.com/presentation/).**



**RMS® (RELAX MEDICAL SYSTEMS INC.),  
3260 EAST WILLOW STREET,  
SIGNAL HILL, CA, 90755, USA.  
PHONE: 1-(800) 405-7677  
1-(562) 331-9962  
FAX: 1- (562) 427-5285  
EMAIL: mail@relaxmedsyst.com  
WEBSITE: www.relaxmedsyst.com**

## P-22 PROFESSIONAL GRADE ANATOMICALLY SHAPED HYDRO-THERAPY SITZ BATH/HIP BATH FOR PELVIC AREA TREATMENTS.

**NOTE: SOME PHOTOS MAY SHOW SITZ BATHS WITH OPTIONAL EQUIPMENT.**

THE SITZ BATH IS A WAY OF TREATMENT IN WHICH ONLY THE PELVIS AND ABDOMINAL AREA ARE PLACED IN WATER, WITH THE UPPER BODY, ARMS, LEGS, AND FEET OUT OF THE WATER. THE WATER CAN BE WARM OR COOL AND ONE OR TWO TUBS MAY BE USED. A SITZ BATH IS A WARM-WATER BATH TAKEN IN THE SITTING POSITION THAT COVERS ONLY THE HIPS AND BUTTOCKS. IT MAY BE USED FOR EITHER HEALING OR HYGIENE PURPOSES. THE WATER MAY CONTAIN MEDICATION.

WARM SITZ BATHS ARE ONE OF THE EASIEST AND MOST EFFECTIVE WAYS TO EASE THE PAIN OF HEMORRHOIDS. A WARM BATH IS ALSO EFFECTIVE IN LESSENING THE DISCOMFORT ASSOCIATED WITH GENITAL HERPES, UTERINE CRAMPS, AND OTHER PAINFUL CONDITIONS IN THE PELVIC AREA. SITZ BATHS ARE OFTEN USED TO RELIEVE PAIN, ITCHING, OR MUSCLE SPASMS. FOR EXAMPLE, THE BATHS ARE OFTEN RECOMMENDED TO SOOTHE THE PAIN AND PROMOTE HEALING AFTER HEMORRHOID SURGERY OR AN EPISIOTOMY FROM CHILDBIRTH.





A SITZ BATH IS ALSO CALLED A HIP BATH. IT IS A TYPE OF BATH IN WHICH ONLY THE HIPS AND BUTTOCKS ARE SOAKED IN WATER OR SALINE SOLUTION. ITS NAME COMES FROM THE GERMAN VERB "SITZEN". IT MEANS "TO SIT." TREATMENT PURPOSE. A SITZ BATH IS USED FOR PATIENTS WHO HAVE HAD SURGERY IN THE RECTUM AREA, OR TO EASE THE PAIN OF HEMORRHOIDS, UTERINE CRAMPS, PROSTATE INFECTIONS, PAINFUL OVARIES, AND/OR TESTICLES. IT IS ALSO USED TO EASE DISCOMFORT FROM INFECTIONS OF THE BLADDER, PROSTATE, OR VAGINA. INFLAMMATORY BOWEL DISEASES ARE ALSO TREATED WITH "SITZ BATHS".

**FRONT VIEW DIMENSIONS:**  
 Total width: 34" (860MM.)  
 Total height: 27" (685MM.)  
 Inner width: 29" (736MM.)  
 Inner height: 32" (813MM.)  
 Stool width: 6" (150MM.)  
 Stool depth: 4 3/4" (120MM.)

**SIDE VIEW DIMENSIONS:**  
 Total width: 34" (860MM.)  
 Total height: 27" (685MM.)  
 Inner width: 29" (736MM.)  
 Inner height: 30" (762MM.)  
 Stool height: 10" (254MM.)  
 Stool depth: 17" (432MM.)  
 Stool width: 32" (813MM.)

**TOP VIEW DIMENSIONS:**  
 Total width: 30" (762MM.)  
 Total height: 17 3/4" (450MM.)  
 Inner width: 35" (889MM.)  
 Inner height: 25" (635MM.)

**PLUMBING REQUIREMENTS FOR A SITZ BATH.**

- 1/2" COLD WATER SUPPLY PIPE.
- 1/2" HOT WATER SUPPLY PIPE.
- 2" FLOOR DRAIN WITH A P-TRAP.
- LOW STOOL MODEL "B" FOR INSIDE-THE-TUB INSTALLATION.
- SITZ BATH NET WEIGHT APP. 51lbs (20kg.) NOTE: TUB NET WEIGHT VARY DEPENDING ON THE EQUIPMENT INSTALLED.
- CAPACITY; APP. 15G. (57L)
- DIMS NON-CRATED: L 34" X W 34" X H 30"; 86CM X 86CM X 76CM
- DIMS CRATED: L 39" X W 39" X H 37"; 990CM X 990CM X 940CM
- WEIGHT NET: 51LBS. (APP. 23KGS.) WEIGHT CRATED: APP. 150-160LBS (68-73KG.)

**PLUMBING REQUIREMENTS FOR STOOL MODEL "B" FOR USE WITH A SITZ BATH.**

**FITS INSIDE SITZ BATH.**

**EQUIPMENT:**

- HIGH-GLOSS ACRYLIC SEAT;
- SPRAY JET WITH INDIVIDUAL SHUT-OFF BUTTON AND PIVOT BASE.
- STURDY METAL FRAME FABRICATED OF NON-RUSTING MATERIALS.
- 1/2" MIXED WATER CONNECTION PROVIDED ON A SITZ BATH.
- 1/2" MIXED WATER HOOK-UP 3 FT. (0.9M) FLEXIBLE HOSE PROVIDED WITH THE LOW STOOL.

DIMS: 17" X 17" X 10" (43CM X 43CM X 25CM)  
 WEIGHT: 10LBS (APP. 4KGS)  
 DIMS BOXED: 17" X 17" X 11" (43CM X 43CM X 28CM)  
 WEIGHT BOXED: 15LBS (6.8KGS.) WATER CONSUMPTION: 2.5GPM (9.5 L/MIN)

**RMS® EXTRA COMFORTABLE PROFESSIONAL GRADE SITZ BATH.**

NOTE: SOME PHOTOS MAY SHOW SITZ BATH WITH OPTIONAL EQUIPMENT.

**Hand shower with multiple settings**  
**Hand Shower individual shut-off valve**  
**Low Stool model B**  
**C/P fill-in spout; special design**  
**Drain 1 1/4"**  
**Sturdy and elegant acrylic body with c/p moldings and decals**

**Hi-gloss acrylic seat**  
**3FT. 900MM. SS 1/2" FLEX FOR MIXED WATER HOOK UP**  
**Spray jet with ind. shut-off button and pivot base**  
**Sturdy metal frame fabricated of non-rusting materials**  
**Pivot Base**  
**Individual Shut-off Button**











**1. LOW STOOL MODEL "A" (HIGH STAND) FOR STAND ALONE APPLICATIONS.**

**STANDARD EQUIPMENT SPECIFICATIONS:**

- HIGH-GLOSS ACRYLIC SEAT;
- 5FT. (1500MM.) FLEXIBLE HOSE FOR STOOL HOOK-UP
- SPRAY JET WITH INDIVIDUAL SHUT-OFF BUTTON AND PIVOT BASE
- STURDY METAL FRAME FABRICATED OF NON-RUSTING MATERIALS.
- 1/2" HOOK-UP 3 FT. (0.9M) FLEXIBLE HOSE PROVIDED WITH THE LOW STOOL.
- DIMS: 17" X 17" X 13" (43CM X 43CM X 33CM)
- DIMS BOXED: 17" X 17" X 14" (43CM X 43CM X 36CM)
- WEIGHT NET: 10LBS. (APP. 4KGS.)
- WEIGHT BOXED: 15LBS. (6.8KGS.)
- WATER CONSUMPTION: 2.5GPM. (9.5L/MIN.)

**ON-SITE/FACILITY PLUMBING REQUIREMENTS:**

1. 1/2" MIXED WATER SUPPLY PIPE.
2. 2" FLOOR DRAIN WITH A P-TRAP
3. 1/2" hook-up 3 ft. (0.9m) flexible hose provided with the Low Stool.

**2. LOW STOOL MODEL "B" (LOW STAND) FOR USE WITH SITZ BATH OR AS A STAND ALONE UNIT.**

**FITS/INSTALLES INSIDE SITZ BATH.**

**STANDARD EQUIPMENT SPECIFICATIONS :**

- HIGH-GLOSS ACRYLIC SEAT;
- SPRAY JET WITH INDIVIDUAL SHUT-OFF BUTTON AND PIVOT BASE
- STURDY METAL FRAME FABRICATED OF NON-RUSTING MATERIALS.
- 1/2" MIXED WATER CONNECTION PROVIDED ON A SITZ BATH.
- 1/2" HOOK-UP 3 FT. (0.9M) FLEXIBLE HOSE PROVIDED WITH THE LOW STOOL.
- DIMS: 17" X 17" X 10" (43CM X 43CM X 25CM)
- DIMS BOXED: 17" X 17" X 11" (43CM X 43CM X 28CM)

**ON-SITE/FACILITY PLUMBING REQUIREMENTS:**

1. 1/2" MIXED WATER SUPPLY HOOK UP AND INDIVIDUAL CONTROL VALVE PROVIDED ON A SITZ BATH.
2. 1/2" HOOK-UP 3 FT. (0.9M) FLEXIBLE HOSE PROVIDED WITH THE LOW STOOL.



3PCS. SITZ BATHS SHOWN WITH OPTIONAL EQUIPMENT.

**SITZ BATH MODEL "BASIC".**

**STANDARD EQUIPMENT SPECIFICATIONS :**

- STURDY AND ELEGANT WHITE ACRYLIC BODY.
  - POP-UP DRAIN 1 1/4"
  - 1. DIMS: 34"L X 34" W X 27"H  
86CM X 86CM X 69 CM
  - 2. WEIGHT NET: 88LBS. (APP. 20KGS).
  - 3. WEIGHT CRATED: 77LBS. (APP. 40KGS).
- ON-SITE/FACILITY PLUMBING REQUIREMENTS:**
1. 2" FLOOR DRAIN WITH A P-TRAP
- OPTIONS: GRABBARS**

**SITZ BATH MODEL "BASIC PLUS". DESIGNED FOR EXTERNAL MIXED WATER SUPPLY.**

NOTE 1: DESIGNED FOR INDIVIDUAL/STAND ALONE USE OR FOR USE WITH LOW STOOL MODEL "B"  
NOTE 2: LOW STOOL MODEL "B" CONNECTION AND INDIVIDUAL CONTROL VALVE PROVIDED AS AN OPTIONAL EQUIPMENT.

**STANDARD EQUIPMENT SPECIFICATIONS :**

- STURDY AND ELEGANT WHITE ACRYLIC BODY.
- POP-UP DRAIN 1 1/4"
- FILL SPOUT BRASS CHROME PLATED,
- SPECIAL DESIGN, ROUND SHAPE.
- MIXED WATER CONTROL VALVE .
- 1. DIMS: 34"L X 34" W X 30"H  
86CM L X 86CM W X 76CM
- 2. WEIGHT NET: 46LBS. (APP. 41KGS).
- 3. WEIGHT CRATED: 90LBS. (APP. 38KGS).

**ON-SITE/FACILITY PLUMBING REQUIREMENTS:**

1. 2" FLOOR DRAIN WITH A P-TRAP.
- OPTIONS:**
1. HAND SHOWER FOR RINSING (MULTIPLE SETTINGS) WITH INDIVIDUAL SHUT-OFF VALVE.
  2. TEMPERATURE/PRESSURE CONTROL GAUGE.



**SITZ BATH MODEL "A". WITH A MANUAL WATER MIXING CONTROL SYSTEM.**

NOTE 1: DESIGNED FOR INDIVIDUAL/STAND ALONE USE OR FOR USE WITH LOW STOOL MODEL "B"  
NOTE 2: LOW STOOL MODEL "B" CONNECTION AND INDIVIDUAL CONTROL VALVE FOR LOW STOOL "B" PROVIDED AS AN OPTIONAL EQUIPMENT.

**STANDARD EQUIPMENT SPECIFICATIONS :**

- STURDY AND ELEGANT WHITE ACRYLIC BODY.
- POP-UP DRAIN 1 1/4"
- FILL SPOUT BRASS CHROME PLATED, SPECIAL DESIGN, ROUND SHAPE.
- COLD/HOT/MIXED WATER VALVES .
- 1. DIMS: 34"L X 34" W X 30"H (86CM X 86CM X 76CM)
- 2. WEIGHT NET: 51LBS. (APP. 23KGS).
- 3. WEIGHT CRATED: APP. 150LBS. (APP. 70.4KGS).

**OPTIONS:** 1. HAND SHOWER FOR RINSING (MULTIPLE SETTINGS) WITH INDIVIDUAL SHUT-OFF VALVE.  
2. TEMPERATURE/PRESSURE CONTROL GAUGE.

**ON-SITE/FACILITY PLUMBING REQUIREMENTS FOR A SITZ BATH MODEL "A" EQUIPPED WITH MANUAL WATER MIXING SYSTEM.**

1. 1/2" COLD WATER SUPPLY PIPE.
2. 1/2" HOT WATER SUPPLY PIPE.
3. 2" FLOOR DRAIN WITH A P-TRAP
4. WATER SUPPLY HOOK-UP 1/2" FLEXES PROVIDED WITH THE BATH.

**SITZ BATH MODEL "B".**

**EQUIPPED WITH AUTOMATIC WATER MIXING/CONTROL SYSTEM.**

NOTE 1: DESIGNED FOR INDIVIDUAL/STAND ALONE USE OR FOR USE WITH LOW STOOL MODEL "B".  
NOTE 2: LOW STOOL MODEL "B" CONNECTION AND INDIVIDUAL CONTROL VALVE PROVIDED AS AN OPTIONAL EQUIPMENT.

**STANDARD EQUIPMENT SPECIFICATIONS :**

- STURDY AND ELEGANT WHITE ACRYLIC BODY.
- POP-UP DRAIN 1 1/4"
- FILL SPOUT BRASS CHROME PLATED, SPECIAL DESIGN, ROUND SHAPE.
- AUTOMATIC WATER TEMPERATURE CONTROL SYSTEM, THERMIXER X-120;
- FILL SYSTEM SHUT-OFF VALVE (MIXED WATER).
- ON-SITE WATER CONNECTION - 1/2" COLD & HOT WATER SUPPLY FLEX HOSES TO THERMIXER X-120 PROVIDED WITH THE SITZ BATH.
- 1. DIMS: 34"L X 34" W X 30"H (86CM X 86CM X 76CM)
- 2. WEIGHT NET: 55LBS. (APP. 25KGS).
- 3. WEIGHT CRATED: APP. 150LBS. (APP. 70.4KGS).

**OPTIONS:** 1. HAND SHOWER FOR RINSING (MULTIPLE SETTINGS) WITH INDIVIDUAL SHUT-OFF VALVE.  
2. TEMPERATURE/PRESSURE CONTROL GAUGE. 3. LOW STOOL MODEL "B."

**ON-SITE/FACILITY PLUMBING REQUIREMENTS FOR A SITZ BATH MODEL "B" EQUIPPED WITH AUTOMATIC WATER MIXING SYSTEM.**

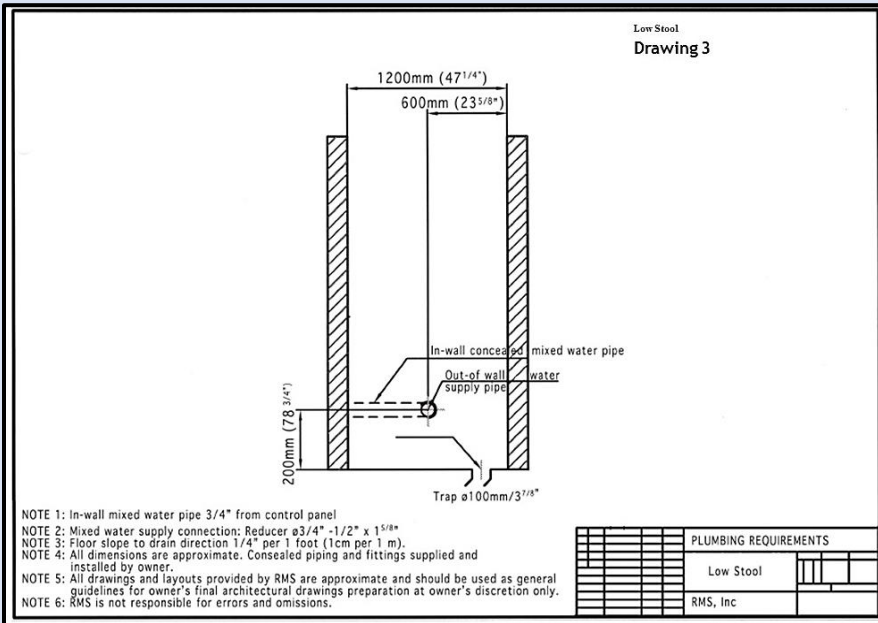
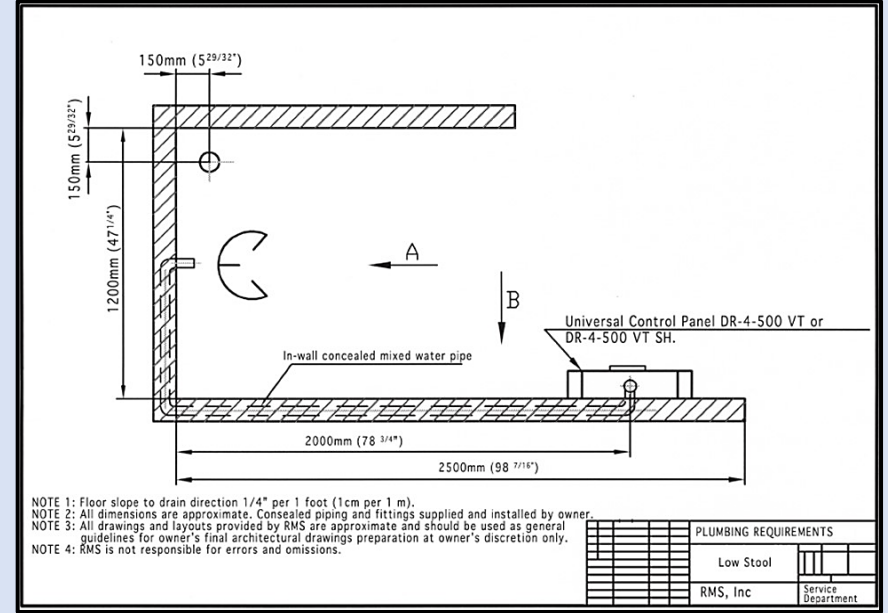
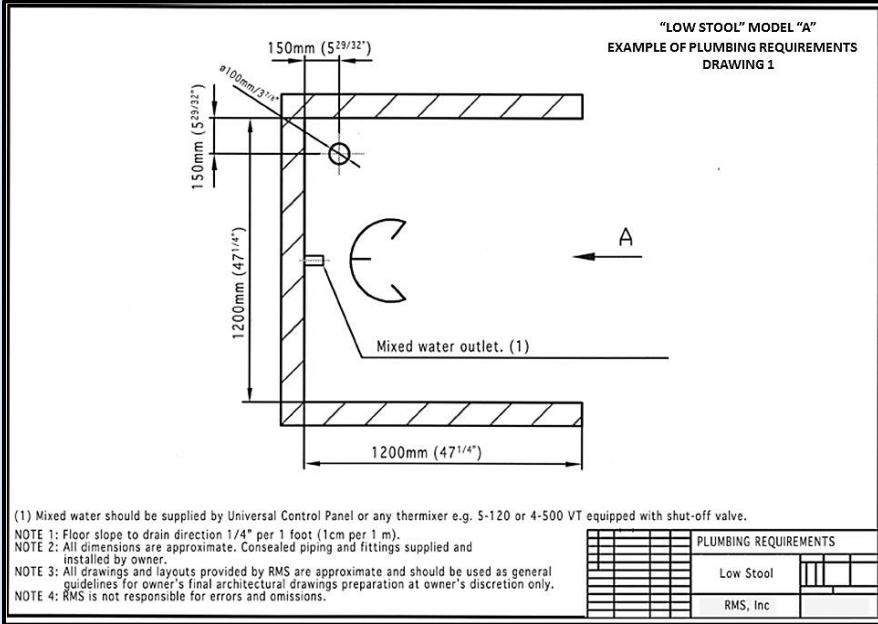
1. 1/2" COLD WATER SUPPLY PIPE.
2. 1/2" HOT WATER SUPPLY PIPE.
3. 2" FLOOR DRAIN WITH A P-TRAP
4. WATER SUPPLY HOOK-UP 1/2" FLEXES PROVIDED WITH THE BATH.

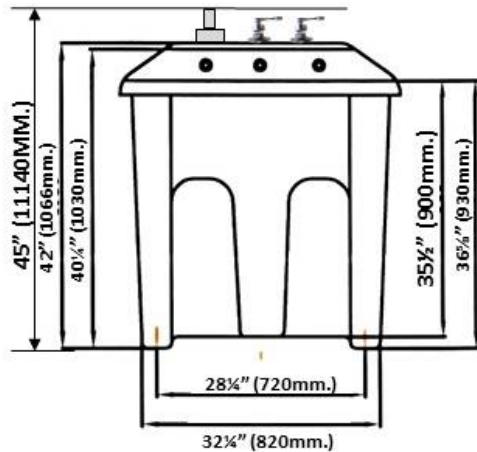
#	MODIFICATION	SITZ BATH MODEL P-22 LOW STOOL WITH A SHOWER FOR A PELVIC AREA TREATMENTS.	PRICE \$US
1	"BASIC"	PROFESSIONAL GRADE ANATOMICALLY SHAPED HYDRO-THERAPY SITZ BATH/HIP BATH.	897.00
2	"BASIC PLUS"	PROFESSIONAL GRADE ANATOMICALLY SHAPED HYDRO-THERAPY SITZ BATH/HIP BATH.	1,247.00
3	"A"	PROFESSIONAL GRADE ANATOMICALLY SHAPED HYDRO-THERAPY SITZ BATH/HIP BATH.	1,505.00
4	"B"	PROFESSIONAL GRADE ANATOMICALLY SHAPED HYDRO-THERAPY SITZ BATH/HIP BATH.	2,230.00
<b>OPTION</b>			
1	<b>FOR ALL MODIF.</b>	LOW STOOL MODEL "B" FOR USE WITH THE SITZ BATH. FITS INSIDE THE SITS BATH.	286.00
2	<b>FOR ALL MODIF.</b>	GRAB BARS INSTALLED ON A BATH (2PCS.).	184.00
4	"A," "B."	PRESSURE/TEMPERATURE GAUGE INSTALLED ON A SITZ BATH	278.00
<b>FOR "BASIC PLUS" MODIFICATION ONLY. SPECIAL TYPES OF WALL-MOUNTED CONTROL BOXES.</b>			
1	"BASIC PLUS"	DR-4-500 VT UNIVERSAL WALL - MOUNTED CONTROL BOX. EQUIPPED WITH AUTOMATIC WATER TEMPERATURE CONTROL SYSTEM.	1,407.00
2	"BASIC PLUS"	DR-4-500 VT SH UNIVERSAL WALL- MOUNTED CONTROL BOX. EQUIPPED WITH AUTOMATIC WATER TEMPERATURE CONTROL SYSTEM AND A HAND SHOWER.	1,699.00

#	MODIFICATION	LOW STOOL WITH A SHOWER FOR PELVIC AREA TREATMENTS.	PRICE \$US
1	"A"	LOW STOOL MODEL A FOR STAND-ALONE USE (HIGH STAND)	286.00
2	"B"	LOW STOOL FOR USE WITH THE SITZ BATH. FITS INSIDE THE SITS BATH.	286.00

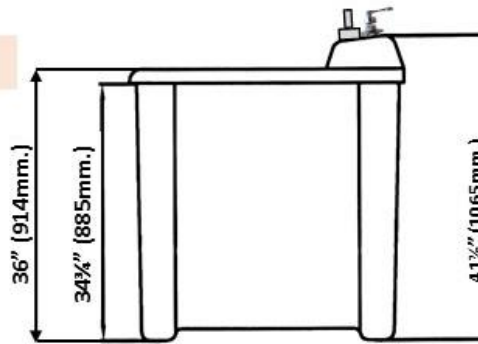


EXAMPLES OF "LOW STOOL" MODEL "A" ON-SITE INSTALLATION.

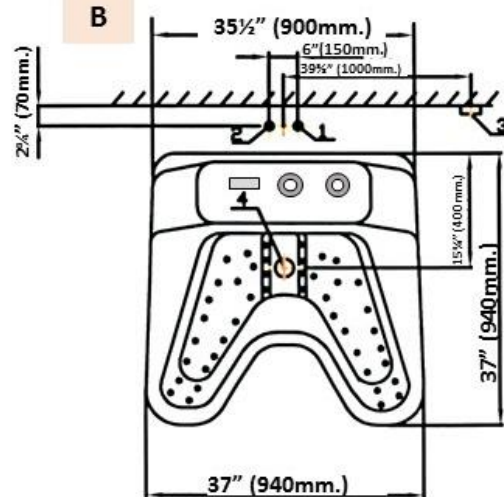




A



C



B

SUPPLY – ONE PHASE NORTH AMERICA, PHASES 1  
 VOLTAGE 110V  
 CURRENT 15A  
 FREQUENCY 60HZ  
 CABLE #12AWG (3.31MM2) 3-WIRE DRY AND WATER RESISTANT CABLE COPPER STRANDED WIRES, 700MM.

INTERNATIONAL, 1 PHASE.  
 TERMINAL MARKED "L1" = LIVE (PHASE)  
 TERMINAL MARKED "N" = NEUTRAL  
 GROUND BUSSBAR/LUG MARKED "GROUND /SL" = EARTH /GROUND  
 VOLTAGE 240 V  
 CURRENT 15A L1/N/SL  
 FREQUENCY 50HZ  
 CABLE #12AWG (3.31MM2) 3-WIRE DRY AND WATER RESISTANT CABLE COPPER STRANDED WIRES, 700MM.

**DRAWING DESCRIPTION.**

- 1/2" MPT COLD WATER SUPPLY PIPE.
- 1/2" MPT HOT WATER SUPPLY PIPE.
- ELECTRIC OUTLET: THE BRANCH CIRCUIT SUPPLYING THIS SYSTEM MUST BE:
  - PROVIDED WITH A MAINS DISCONNECT ALL POLE AND PROTECTED BY A "CLASS A" DEDICATED GROUND FAULT CIRCUIT INTERRUPTER (GFCI) ALL POLE, INSTALLED, LOCATED AND MOUNTED IN ACCORDANCE WITH LOCAL AND NATIONAL ELECTRICAL CODES. NOMINAL FAULT CURRENT MAX. 30MA. OUTSIDE OF NORTH AMERICA, A GFCI MAY BE REFERRED TO AS AN EARTH LEAKAGE CIRCUIT BREAKER. THE ELCB SHOULD HAVE A MAXIMUM OPERATING TRIP CURRENT OF 30 MILLIAMPS.
  - NORTH AMERICA GFCI PROTECTED 110V/60HZ, 1 PHASE, 15AMP
  - INTERNATIONAL 220/50HZ, 1 PHASE 15AMP
- 2" (50MM.) FLOOR DRAIN WITH A P-TRAP.

**E-15S, E-15S AIR PROFESSIONAL GRADE UPPER EXTREMITIES HYDRO-THERAPY BATHS.**

E-15 S, E-15 S AIR UPPER EXTREMITY HYDRO-THERAPY BATHS.	
NON-CRATED	WITH EQUIPMENT INSTALLED ON THE TOP CONTROL PANEL 37"(L) x 37"(W) x 45" (H) 96.5cm (W) x 96.5cm (L) x 114cm (H)
CRATED	41"(L) x 41"(W) x 52"(H) 104cm (L) x 104cm (W) x 132cm(H)

**SPECIFICATIONS AND PLUMBING REQUIREMENTS FOR "E-15 S" AND "E-15 S AIR" UPPER EXTEREMITIES BATHS.**

1. STURDY AND ELEGANT WHITE ACRYLIC BODY.
2. FILL SPOUT BRASS CHROME PLATED, SPECIAL DESIGN, ROUND SHAPE.
3. FILL SYSTEM COLD/HOT/MIXED WATER VALVES .
4. WEIGHT NET: APP. 62LBS. (APP. 28KGS)
5. WEIGHT CRATED: APP. 132LBS. (APP.60KGS)
6. WATER CAPACITY: 15G (57L)
7. MIN DOOR WIDTH: 38" (970MM.)
8. 1/2" FPT COLD/HOT WATER HOOK-UP 3 FT. (0.9M) FLEXIBLE HOSES PROVIDED WITH THE TUB.

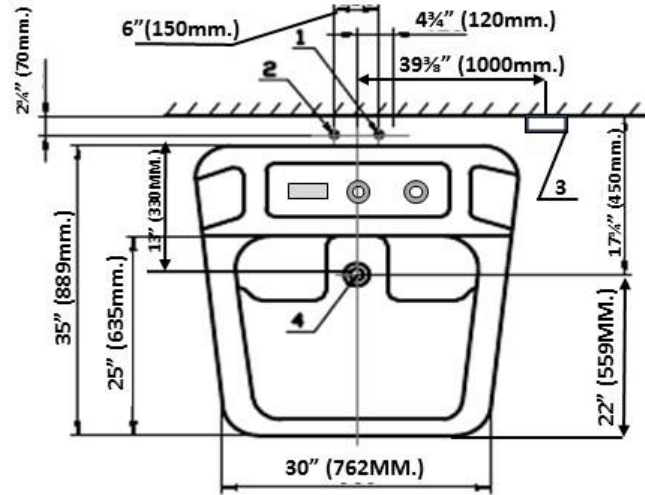
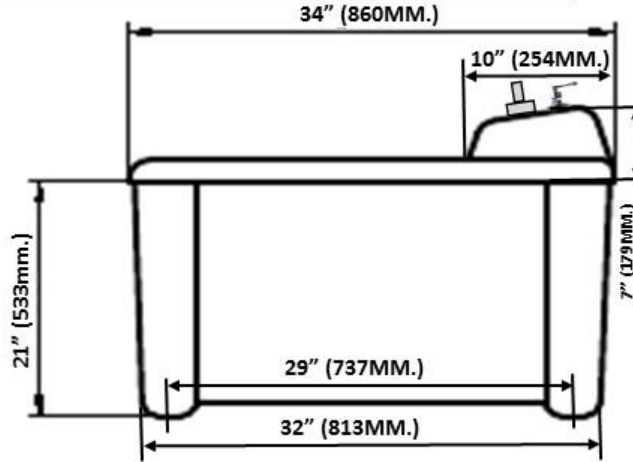
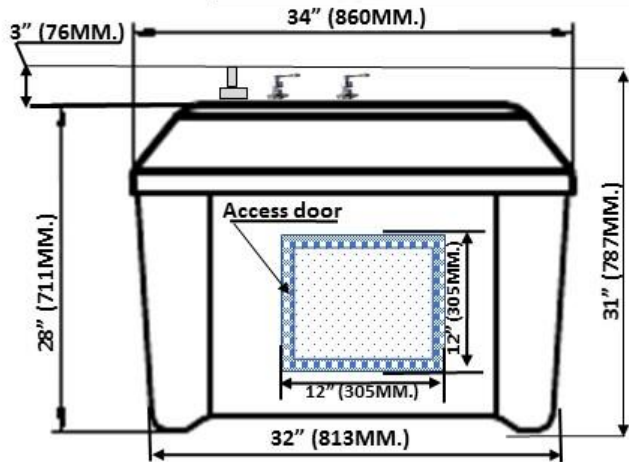
- OPTIONS:**
1. AUTOMATIC WATER TEMPERATURE CONTROL SYSTEM, THERMIXER X-120
  2. HAND SHOWER FOR RINSING (MULTIPLE SETTINGS) WITH INDIVIDUAL SHUT-OFF VALVE;

ON-SITE FACILITY PLUMBING REQUIREMENTS.

1. 1/2" MPT COLD WATER SUPPLY PIPE.
2. 1/2" MPT HOT WATER SUPPLY PIPE.
3. 2" (50MM.) FLOOR DRAIN WITH A P-TRAP.



**P-15S/P-15S AIR PROFESSIONAL GRADE LOWER EXTREMITIES HYDRO-THERAPY BATH.**



**DRAWING DESCRIPTION.**

- 1/2" MPT COLD WATER SUPPLY PIPE.
- 1/2" MPT HOT WATER SUPPLY PIPE.
- ELECTRIC OUTLET: THE BRANCH CIRCUIT SUPPLYING THIS SYSTEM MUST BE:
  - PROVIDED WITH A MAINS DISCONNECT ALL POLE AND PROTECTED BY A "CLASS A" DEDICATED GROUND FAULT CIRCUIT INTERRUPTER(GFCI) ALL POLE, INSTALLED, LOCATED AND MOUNTED IN ACCORDANCE WITH LOCAL AND NATIONAL ELECTRICAL CODES. NOMINAL FAULT CURRENT MAX. 30MA. OUTSIDE OF NORTH AMERICA, A GFCI MAY BE REFERRED TO AS AN EARTH LEAKAGE CIRCUIT BREAKER.
  - THE ELCB SHOULD HAVE A MAXIMUM OPERATING
  - NORTH AMERICA GFCI PROTECTED 110V/60HZ, 1 PHASE, 15AMP
  - INTERNATIONAL 220/50HZ, 1 PHASE 15AMP
- 2" (50MM.) FLOOR DRAIN WITH A P-TRAP.

P-15S, P-15S AIR LOWER EXTREMITY HYDRO-THERAPY BATHS.	
APP. NON-CRATED	APP. WITH EQUIPMENT INSTALLED ON-SITE 34"(W) x 34"(L) x 31"(H) 86cm(L) x 86cm (W) x 79cm (H)
APP. CRATED	36"(L) x 36"(W) x 37"(H) 914cm (L) x 914cm (W) x 940cm (H)

**SPECIFICATIONS AND PLUMBING REQUIREMENTS FOR "E-15 S" AND "E-15 S AIR" UPPER EXTEREMITIES BATHS.**

1. STURDY AND ELEGANT WHITE ACRYLIC BODY.
2. FILL SPOUT BRASS CHROME PLATED, SPECIAL DESIGN, ROUND SHAPE.
3. FILL SYSTEM COLD/HOT/MIXED WATER VALVES .
4. WEIGHT NET: APP. 62LBS. (APP. 28KGS)
5. WEIGHT CRATED: APP. 132LBS. (APP.60KGS)
6. WATER CAPACITY: 15G (57L)
7. MIN DOOR WIDTH: 36" (920MM.)
8. 1/2" FPT COLD/HOT WATER HOOK-UP 3 FT. (0.9M) FLEXIBLE HOSES PROVIDED WITH THE TUB.

- OPTIONS:**
1. AUTOMATIC WATER TEMPERATURE CONTROL SYSTEM, THERMIXER X-120
  2. HAND SHOWER FOR RINSING (MULTIPLE SETTINGS) WITH INDIVIDUAL SHUT-OFF VALVE;

**ON-SITE FACILITY PLUMBING/ELECTRICAL REQUIREMENTS**

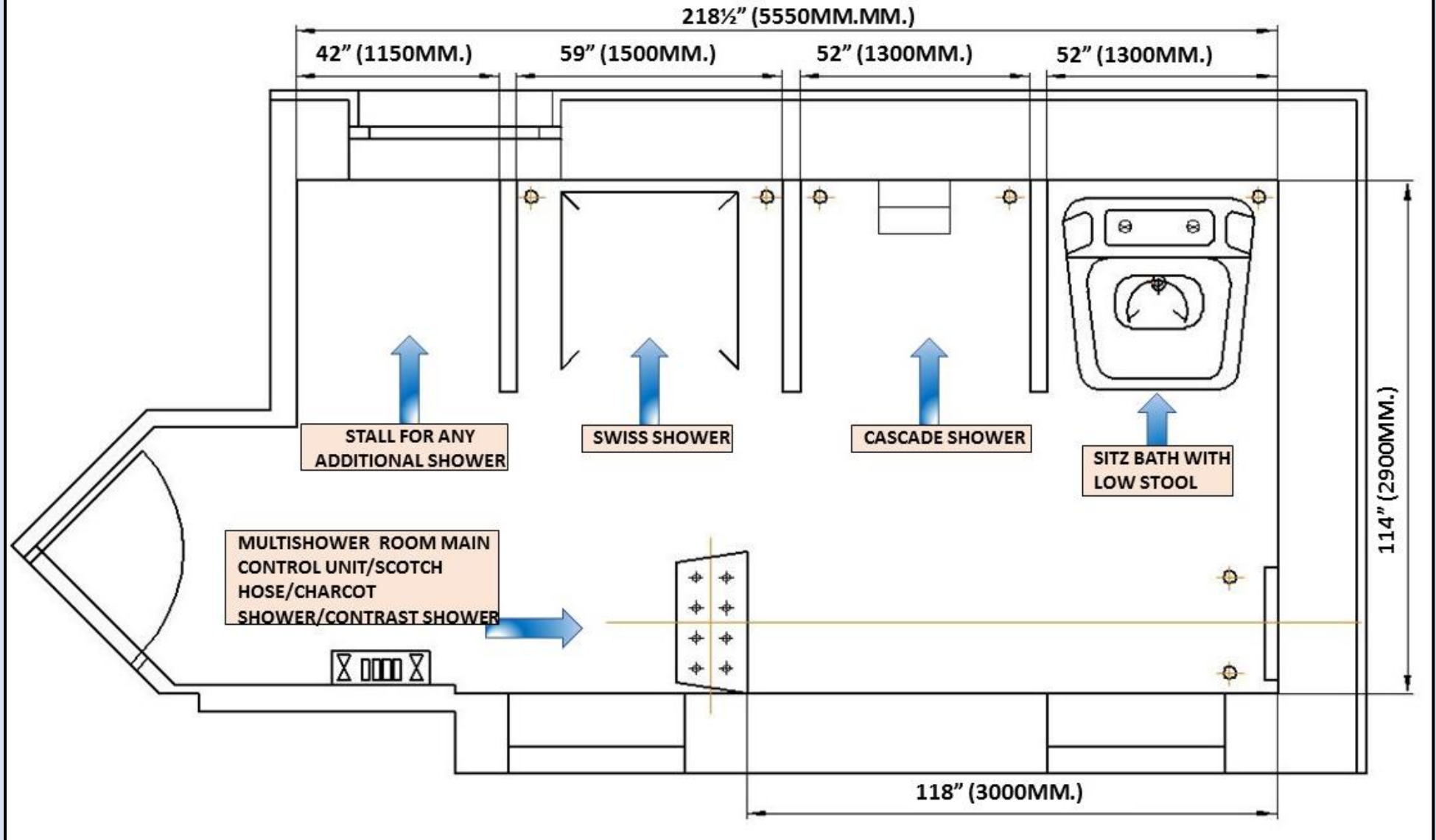
1. 1/2" COLD WATER SUPPLY PIPE.
2. 1/2" HOT WATER SUPPLY PIPE.
3. 2" (50MM.) FLOOR DRAIN WITH A P-TRAP.
  - NORTH AMERICA GFCI PROTECTED 110V/60HZ, 1 PHASE, 15AMP
  - INTERNATIONAL 220/50HZ, 1 PHASE, 15AMP

NORTH AMERICA, 1 PHASE VOLTAGE 110V  
CURRENT 15A  
FREQUENCY 60HZ  
PHASES 1  
CABLE #12AWG (3.31MM2) 3-WIRE DRY AND WATER RESISTANT CABLE  
COPPER STRANDED WIRES, 700MM.

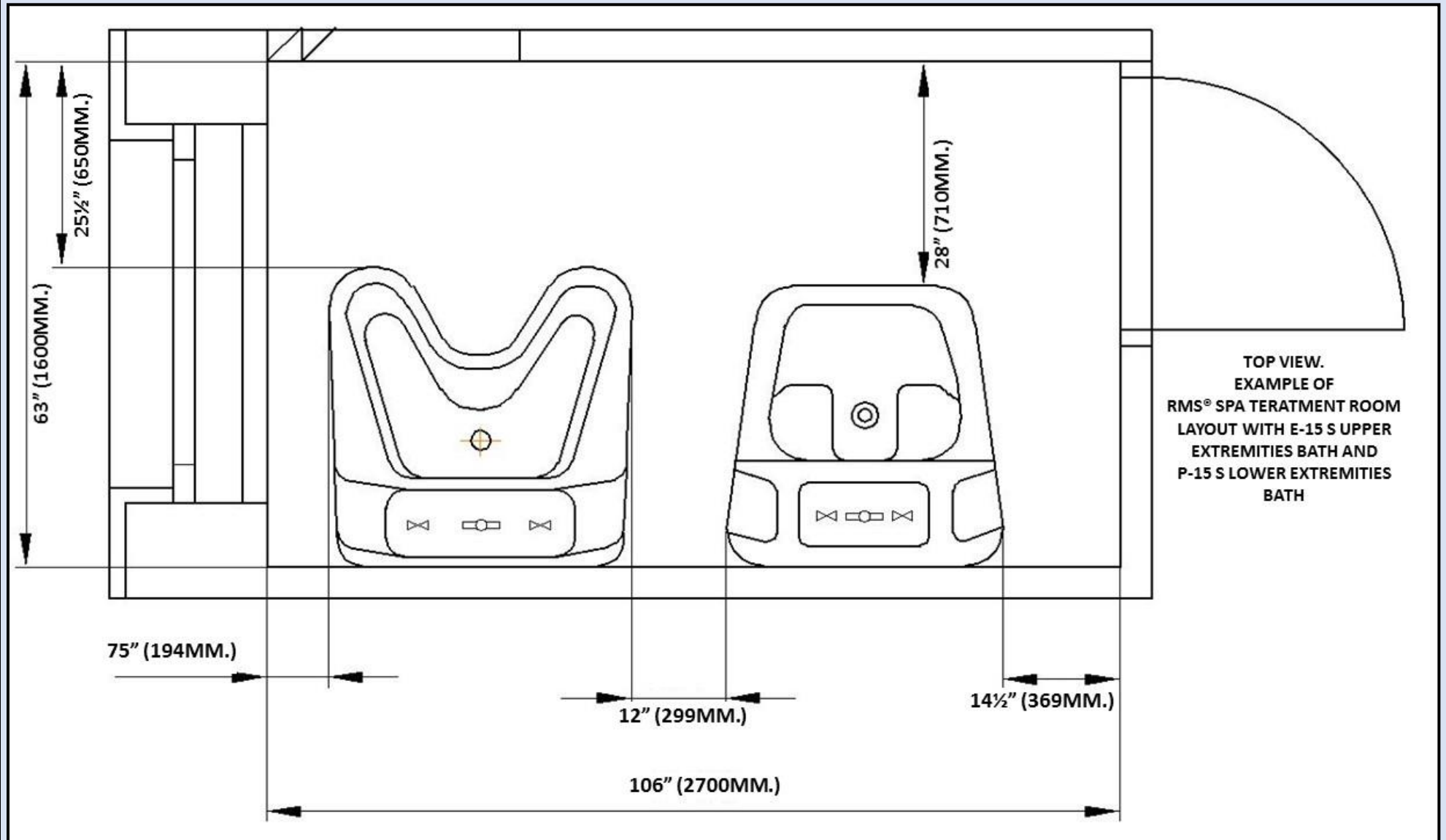
INTERNATIONAL, 1 PHASE.  
TERMINAL MARKED "L1" = LIVE (PHASE)  
TERMINAL MARKED "N" = NEUTRAL  
GROUND BUSSBAR/LUG MARKED "GROUND/SL" = EARTH /GROUND  
VOLTAGE 240 V  
CURRENT 15A L1/N/SL  
FREQUENCY 50HZ  
CABLE #12AWG (3.31MM2) 3-WIRE DRY AND WATER RESISTANT CABLE  
COPPER STRANDED WIRES, 700MM.

### TOP VIEW.

EXAMPLE OF RMS® MULTISHOWER ROOM "COMBI-REGULAR" LAYOUT WITH SITZ BATH AND LOW STOOL.

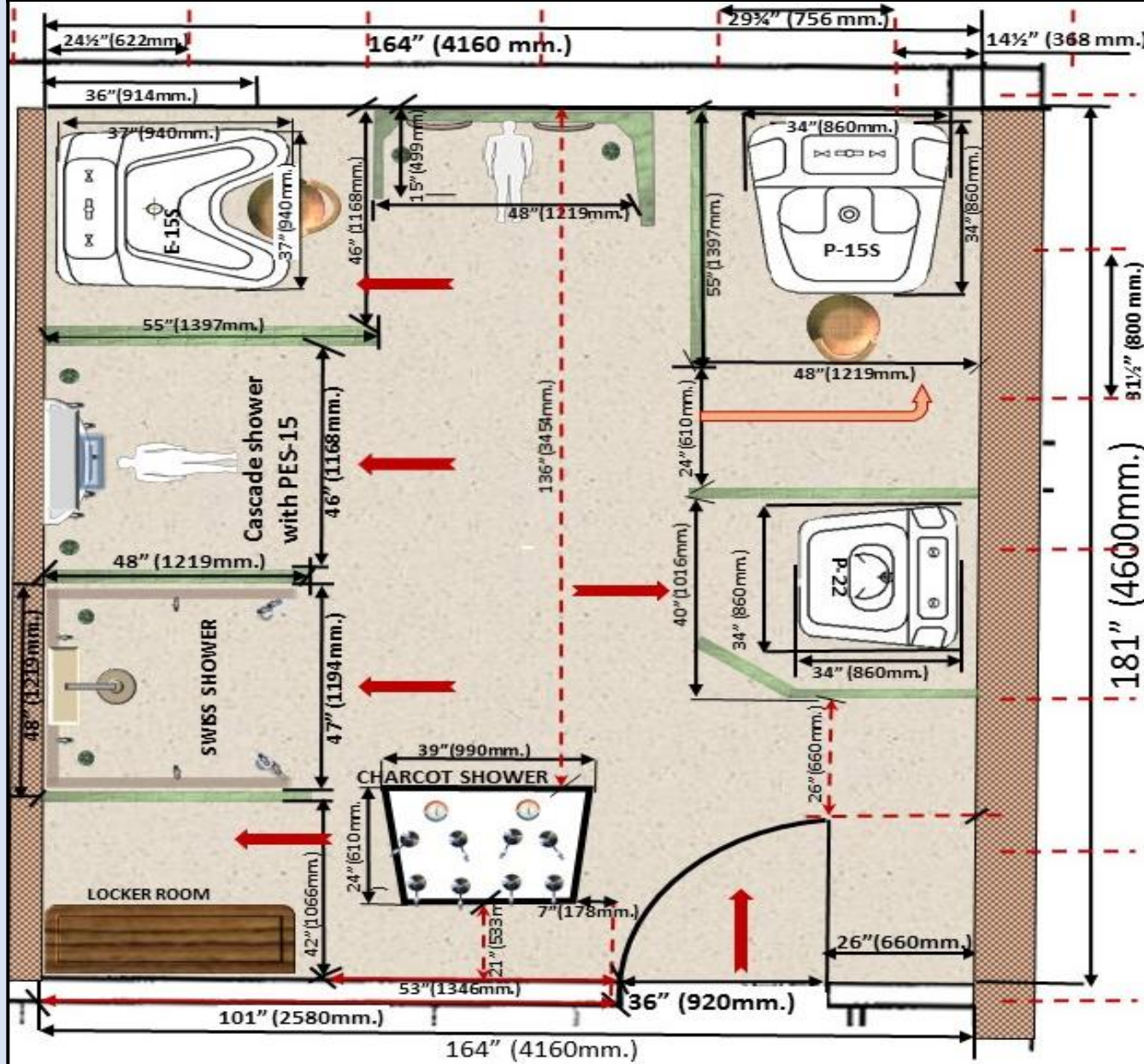






TOP VIEW.  
 EXAMPLE OF  
 RMS® SPA TREATMENT ROOM  
 LAYOUT WITH E-15 S UPPER  
 EXTREMITIES BATH AND  
 P-15 S LOWER EXTREMITIES  
 BATH

EXAMPLE OF A MULTISHOWER ROOM FOR MEN OR WOMEN.  
 ALL UNITS ARE CONTROLLED BY ONE OPERATOR.  
 SEE CHAPTER MULTISHOWER ROOMS "COMBI DE-LUXE".





FEATURES	UPPER/LOWER EXTREMITIES.				OPTIONS.
	E-15 S UPPER EXTREMITIES WHIRLPOOL	E-15 S AIR UPPER EXTREMITIES AIR MASSAGE TUB	P-15 S LOWER EXTREMITIES WHIRLPOOL	P-15 S AIR LOWER EXTREMITIES AIR MASSAGE TUB	
DIMS WITH EQUIPMENT INSTALLED ON-SITE	37"(L) X 38"(W) X 45" (H) 97CM (W) X 94CM (L) X 114CM (H)	37"(L) X 38"(W) X 45" (H) 97CM (W) X 94CM (L) X 114CM (H)	34"(W) X 34"(L) X 30"(H) 86CM(L) X 86CM (W) X 76CM (H)	34"(W) X 34"(L) X 30"(H) 86CM(L) X 86CM (W) X 76CM (H)	1. AUTOMATIC WATER TEMPERATURE CONTROL SYSTEM. 2. PRESSURE,TEMPERATURE CONTROL GAUGE.
DIMS CRATED	41"(L) X 41"(W) X 52"(H) 104CM (L) X 104CM (W) X 132CM(H)	41"(L) X 41"(W) X 52"(H) 104CM (L) X 104CM (W) X 132CM(H)	40"(L) X 38"(W) X 35"(H) 102CM (L) X 97CM (W) X 89CM (H)	40"(L) X 38"(W) X 35"(H) 102CM (L) X 97CM (W) X 89CM (H)	
WATER CAPACITY	15 GAL/57 L.	15 GAL/57 L.	15 GAL/57 L.	15 GAL/57 L.	
BODY/HOUSING	ACRYLIC/COMPOSITE	ACRYLIC/COMPOSITE	ACRYLIC/COMPOSITE	ACRYLIC/COMPOSITE	
SELF-LEVELING FEET	4PCS	4PCS	4PCS	4PCS	
WATER PUMP 110V/60HZ / 220V/50HZ	+	+	+	+	
1 HP AIR BLOWER FOR AIR BUBBLE MASSAGE WITH HEATED AIR. 110/60,220/50	N/A	10PCS AIR JETS . 50 AIR CHANNELS TOTAL.	N/A	10PCS AIR JETS . 50 AIR CHANNELS TOTAL.	
HYDRO/AIR JETS (VENTURI SYSTEM)	6	6	6	6	
INDEPENDENT AIR CONTROLS	2	2	2	2	
TUB TO WATER SUPPLY CONNECTION	1/2"FPT FLEX HOT/COLD	1/2"FPT FLEX HOT/COLD	1/2"FPT FLEX HOT/COLD	1/2"FPT FLEX HOT/COLD	
TUB DRAIN	MANUAL, ON/OFF FIXTURE	MANUAL, ON/OFF FIXTURE	MANUAL, ON/OFF FIXTURE	MANUAL, ON/OFF FIXTURE	
FLOOR DRAIN	2" (50MM) BY AIR GAP MEANS RECOMMENDED	2" (50MM) BY AIR GAP MEANS RECOMMENDED	2" (50MM) BY AIR GAP MEANS RECOMMENDED	2" (50MM) BY AIR GAP MEANS RECOMMENDED	
FILL SPOUT	BRASS, CHROME PLATED	BRASS, CHROME PLATED	BRASS, CHROME PLATED	BRASS, CHROME PLATED	
CONTROLS	PNEUMATIC	PNEUMATIC	PNEUMATIC	PNEUMATIC	
WATER MIXING SYSTEM	MANUAL	MANUAL	MANUAL	MANUAL	

#	MODEL	PRICE \$US
1	E-15S UPPER EXTREMITIES BATH	3,652.00
2	E-15S AIR UPPER EXTREMITIES BATH	3,570.00
3	P-15S LOWER EXTREMITIES BATH	2,980.00
4	P-15S AIR LOWER EXTREMITIES BATH	2,670.00
<b>OPTIONS</b>		
1	AUTOMATIC WATER TEMPERATURE CONTROL SYSTEM X-120	527.00
2	PRESSURE/TEMPERATURE GAUGE	278.00