



**BELMONT SHORE DE-LUXE AND ECONOMY DE-LUXE TUBS.
EXTRA-LUXURY HYDROTHERAPY TUBS FOR COMMERCIAL AND RESIDENTIAL USE.**

SEE DETAILED SPECS FOR EACH TUB (MODEL) AT PPG. 17-20; 28-29

EXCLUSIVE HYDROTHERAPY PRODUCTS & ACCESSORIES

SEE RMS® PRESENTATION AT: [HTTP://RELAXMEDSYST.COM/PRESENTATION/](http://RELAXMEDSYST.COM/PRESENTATION/).



**RMS® (RELAX MEDICAL SYSTEMS INC.),
3260 EAST WILLOW STREET, SIGNAL HILL, CA, 90755, USA.
PHONE: 1- (800) 405-7677; 1- (562) 331-9962; FAX: 1- (562) 427-5285
EMAIL: mail@relaxmedsyst.com; info@relaxmedsyst.com WEBSITE: www.relaxmedsyst.com**

#	CONTENTS	PAGE
1	CHAPTER 1. PHOTO GALLERY. BELMONT SHORE DE-LUXE EXTRA-LUXURY HYDROTHERAPY TUBS FOR COMMERCIAL AND RESIDENTIAL USE.	3-12
2	GENERAL PLUMBING AND ELECTRICAL REQUIREMENTS.	13-16
3	SPECIFICATIONS. HYDROTHERAPY TUBS FOR COMMERCIAL AND RESIDENTIAL USE. BELMONT SHORE DE-LUXE.	17-20
4	CHAPTER 2. PHOTO GALLERY. HYDROTHERAPY TUBS FOR COMMERCIAL AND RESIDENTIAL USE. ECONOMY DE-LUXE LINE.	21-23
5	GENERAL PLUMBING AND ELECTRICAL REQUIREMENTS.	24-27
6	SPECIFICATIONS. HYDROTHERAPY TUBS FOR COMMERCIAL AND RESIDENTIAL USE. ECONOMY DE-LUXE SERIES.	28-29

CHAPTER 1. PHOTO GALLERY. BELMONT SHORE DE-LUXE EXTRA-LUXURY HYDROTHERAPY TUBS FOR COMMERCIAL AND RESIDENTIAL USE.

BELMONT SHORE DE-LUXE "BLUE WAVE ECONOMY"

84" X 36" X 27"
2140MM. X 920MM. X 680MM.

RMS®

36" (920MM.)

84" (2140MM.)

27" (680MM.)

TUB DESCRIPTION.

1. EC-3ZL R.3 SAS TS INTELLI TUB® ELECTRONIC CONTROL TUB WITH AUTOMATIC FILL/DRAIN/SANITATION SYSTEM
2. AUTOMATIC WATER TEMPERATURE CONTROL SYSTEM.
3. WATER FALL SPOUT CONTROL VALVE.
4. MANUAL UNDERWATER POINTED PRESSURE MASSAGE CONTROL SYSTEM WITH QRS CONNECTION.
5. MASSAGE HOSE/WAND CONTROL VALVE.
6. RETRACTABLE HAND SHOWER/MIXED WATER.
7. HAND SHOWER CONTROL VALVE.
8. CHROME PLATED GRAB BARS.
9. "PANIC BUTTON" (EMERGENCY STOP.)
10. CONTOURED HEAD SUPPORT (PILLOW).
11. FULL SIZE VENTURY JETS.
12. VENTURY JET AIR CONTROLS.
13. AIR MASSAGE SYSTEM WITH HEATED AIR.
14. AROMA THERAPY SYSTEM.
15. UNDERWATER LIGHTS (CHROMA THERAPY SYSTEM).
16. MAIN FILL SPOUT (WATERFALL).

RMS®

BELMONT SHORE DE-LUXE "BLUE WAVE ECONOMY"



BELMONT SHORE DE-LUXE "BLUE WAVE ECONOMY".

RMS®









**NOTE: TUB SHOWN WITH OPTIONAL
UNDERWATER MASSAGE HOSE/HAND WAND
AND ENTERTAINMENT SYSTEM.**



RMS[®]

BELMONT SHORE DE-LUXE "A-170 MA -05"



RMS®

BELMONT SHORE DE-LUXE "A-170 MA -05"

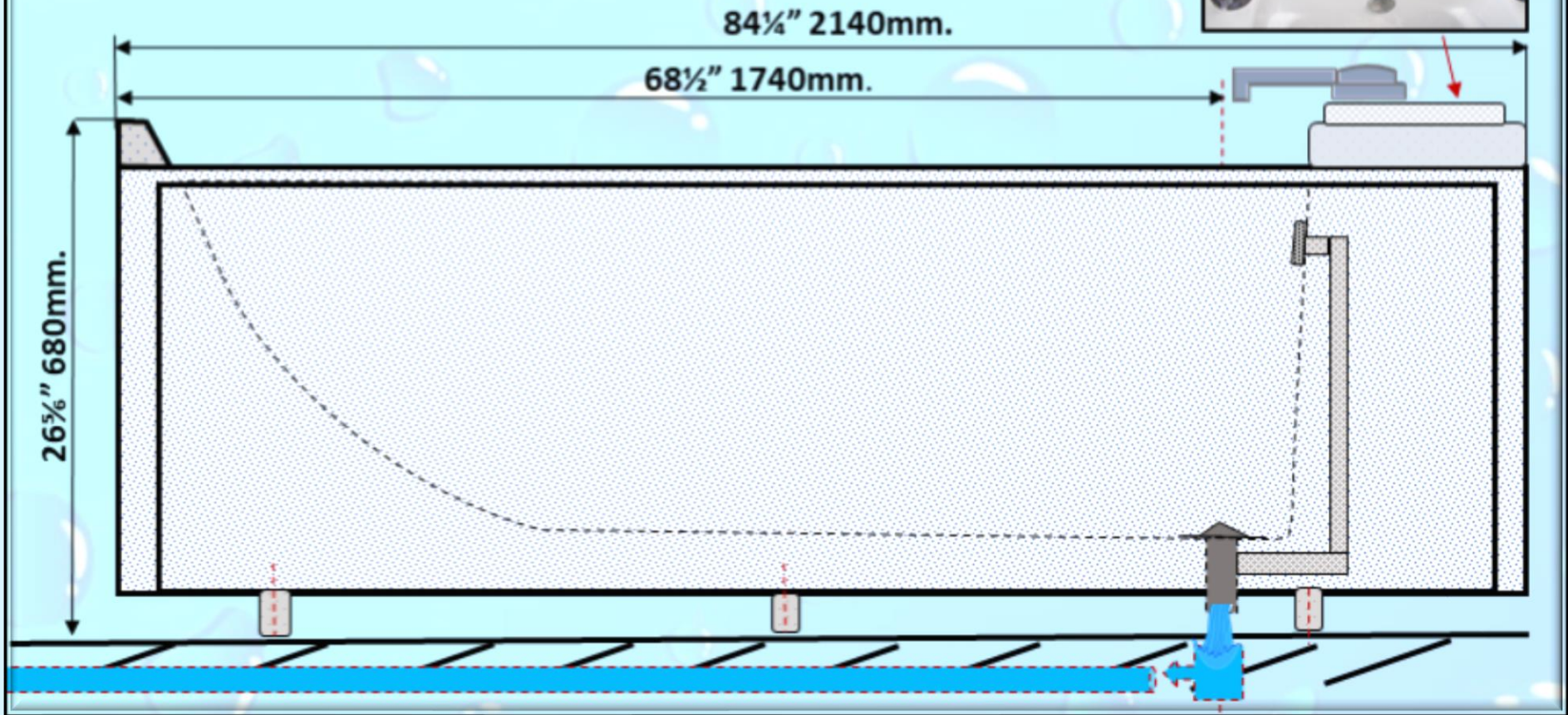


“BELMONT SHORE DE-LUXE” SERIES.

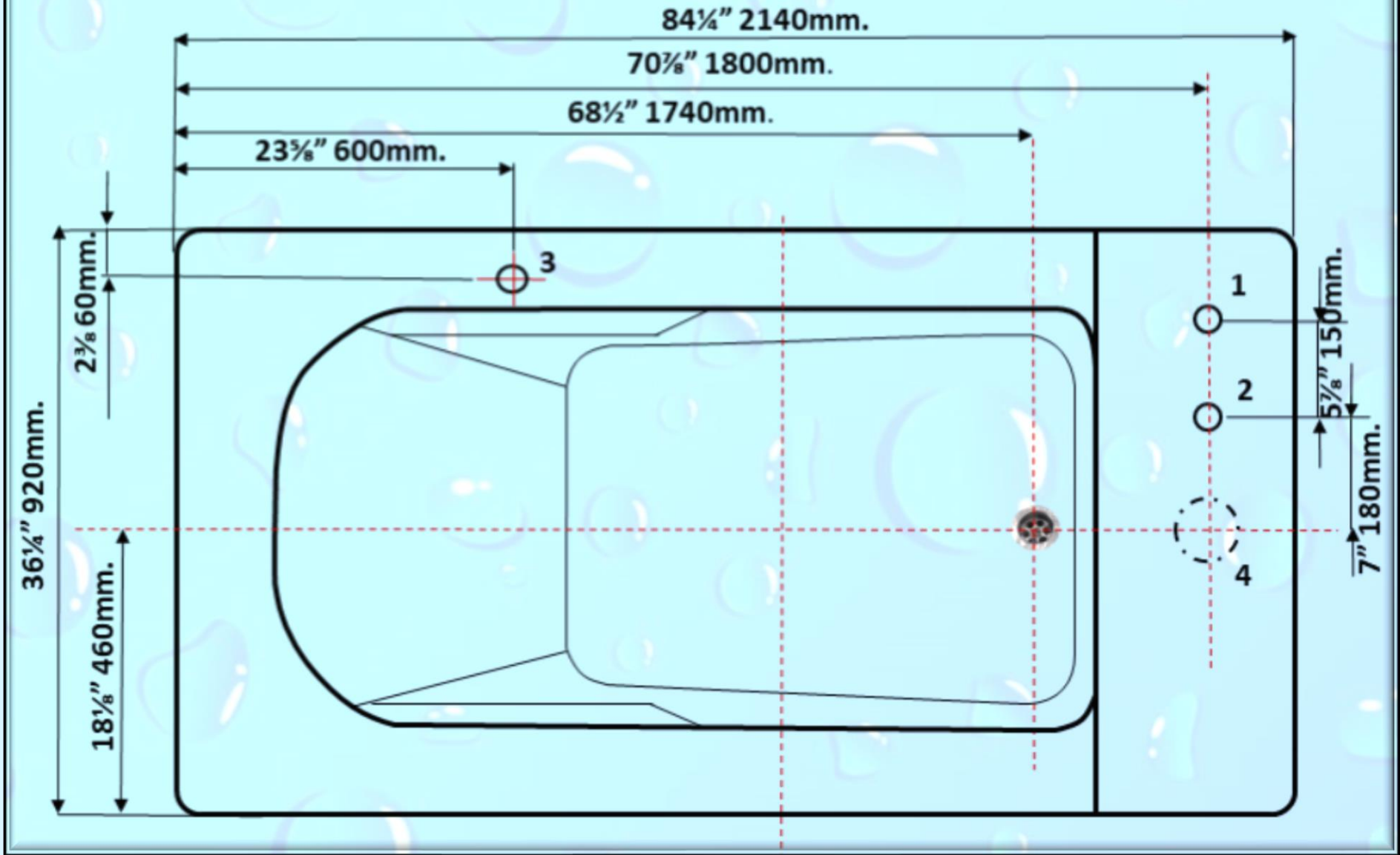
RMS®



GENERAL INSTALLATION GUIDELINES FOR "BELMONT SHORE DE-LUXE."
"A" SIDE VIEW.



**GENERAL INSTALLATION GUIDELINES FOR "BELMONT SHORE DE-LUXE"
"B" TOP VIEW.**



GENERAL PLUMBING REQUIREMENTS.

1-2. WATER SUPPLY PIPES.

- **1-2. 3/4" X CLOSE MPT (ABOVE FINISHED FLOOR) COLD/HOT WATER SUPPLY PIPES.**
- **THE SUPPLY PIPES MUST BE PROTECTED BY BACK-FLOW PREVENTORS/CHECK VALVES (PROVIDED WITH THE TUB) AS REQUIRED BY LOCAL CODES.**
- **SHUT- OFF VALVES ON BOTH HOT AND COLD-WATER LINES ARE RECOMMENDED AND SHOULD BE LOCATED DIRECTLY UNDER THE TUB OR WITHIN THE TUB ROOM.**
- **DEDICATED COLD WATER: 3/4" MPT X CLOSE" (ABOVE THE FINISHED FLOOR).**
- **DEDICATED HOT WATER: 3/4" MPT X CLOSE" (ABOVE THE FINISHED FLOOR).**

FLOOR DRAIN REQUIREMENTS.

- **FLOOR DRAIN FIXTURE REQUIREMENTS: 2" (50MM.).**
- **FLOOR DRAIN FLOW PER MINUTE REQUIREMENTS: APP. 65 GPM/250L/MIN.**
- **TUB'S DRAIN CONNECTION IS BY MEANS OF THE 1 1/2" RIGID PLASTIC PVC PIPE.**
- **NOTE: ON-SITE DRAIN AIR GAP CONNECTION TYPE RECOMMENDED.**
- **TUBS COME WITH 1 1/2" DRAIN. A FLOOR DRAIN OR SUMP PUMP MUST BE PROVIDED BY OWNER. SEE THE DRAWINGS OF RECOMMENDED DRAIN TYPES IN THE INSTRUCTION MANUAL.**
- **CENTER THE TUB OVER THE FLOOR DRAIN/MAIN DRAIN WITH ODOR TRAP Ø 70(100) MM. AND ADDITIONAL SIDE INLET Ø 50MM, USED AS AN AUXILIARY ROOM DRAIN SIMULTANEOUSLY WITH MAIN DRAIN RECOMMENDED.**

- **SPECIAL NOTE: IF ANY TYPE OF THICK-WALL PLASTIC PIPES IS USED, SIZE IT UP TO AVOID SIGNIFICANT PIPE ID REDUCTION, WHICH WOULD NOT PROVIDE ENOUGH WATER FLOW FOR THE SYSTEM. DO NOT USE ANY TYPE OF SPIGOT TYPE FITTINGS, WHICH ARE INSTALLED INSIDE THE PIPE PORT. IT WILL REDUCE THE INTERNAL PIPE DIAMETER AND WATER FLOW CORRESPONDINGLY.**

GENERAL ELECTRICAL REQUIREMENTS.

- NORTH AMERICA, TWO-PHASE. MODELS ONLY FOR USE WITH: U.S. 240V, 60HZ, SUPPLY TWO PHASES EACH OF 120V TO GROUND).
- NORTH AMERICA, TWO-PHASE.
- TERMINAL MARKED “L1” = LIVE 1
- TERMINAL MARKED “L2” = LIVE 2
- GROUND BUSSBAR/LUG MARKED “GROUND /SL”= GROUND
- VOLTAGE 240V,
- CURRENT 15A L1/L2/SL,
- FREQUENCY 60Hz,
- PHASES 2
- NORTH AMERICA SUPPLY ONE PHASE: 110V/60HZ, CURRENT 15A.
- CABLE#10AWG (5.3MM2) 3-WIRE DRY AND WATER-RESISTANT CABLE COPPER STRANDED WIRES, 700MM.

- INTERNATIONAL 220/50HZ, SINGLE PHASE.
- TERMINAL MARKED “L1” = LIVE (PHASE)
- TERMINAL MARKED “N” = NEUTRAL
- GROUND BUSSBAR/LUG MARKED “GROUND /SL” = EARTH/GROUND
- VOLTAGE 240V, CURRENT 15A L1/N/SL, FREQUENCY 50Hz, PHASES: 1
- CABLE: #10AWG (5.3MM2) 3-WIRE DRY AND WATER-RESISTANT CABLE COPPER STRANDED WIRES, 700MM.

- THE BRANCH CIRCUIT SUPPLYING THIS SYSTEM MUST BE PROVIDED WITH A MAINS DISCONNECT ALL POLE AND PROTECTED BY A “CLASS A” DEDICATED GROUND FAULT CIRCUIT INTERRUPTER(GFCI) ALL POLE, INSTALLED, LOCATED AND MOUNTED IN ACCORDANCE WITH LOCAL AND NATIONAL ELECTRICAL CODES. NOMINAL FAULT CURRENT MAX. 30MA. OUTSIDE OF NORTH AMERICA, A GFCI MAY BE REFERRED TO AS AN EARTH LEAKAGE CIRCUIT BREAKER. THE ELCB SHOULD HAVE A MAXIMUM OPERATING TRIP CURRENT OF 30 MILLIAMPS).

**SPECIFICATIONS. HYDROTHERAPY TUBS FOR COMMERCIAL AND RESIDENTIAL USE
BELMONT SHORE DE-LUXE.**



FEATURES	BLUE WAVE ECONOMY (BWE)	A-170 MA-05	A-170 MB-05
----------	-------------------------	-------------	-------------

TUB DIMS	84" X 36" X 27" 214CM X 92CM X 68CM	84" X 36" X 27" 213,5CM X 92CM X 68CM	84" X 36" X 27" 213,5CM X 92CM X 68CM
DIMS CRATED	85" (L) X 41" (W) X 37" (H) 216CM (L) X 104CM (W) X 94CM (H)	85" (L) X 41" (W) X 37" (H) 216CM (L) X 104CM (W) X 94CM (H)	85" (L) X 41" (W) X 37" (H) 216CM (L) X 104CM (W) X 94CM (H)
CAPACITY	62 GAL/236 LITERS	62 GAL/236 LITERS	62 GAL/236 LITERS
ADJUSTABLE FEET	6	6	6
WATER PUMP 110V/60HZ OR 220V/50HZ OR 220V/60HZ	1.5 HP	1.5 HP	1.5 HP
BLOWER / AIR PUMP 110V/60HZ OR 220V/50HZ OR 220V/60HZ	1.5 HP, HEATED AIR WITH MULTIPLE INTENSITY LEVELS	1 HP, 16 INTENSITY LEVELS, HEATED AIR	1 HP, HEATED AIR
FILL SPOUT	8" (20CM.) SOLID BRASS CHROME PLATED WATERFALL	3 ½" SOLID BRASS CHROME PLATED WATERFALL	3 ½" SOLID BRASS CHROME PLATED WATERFALL
CONTROLS	EC-3ZL R.3 SAS TS ADVANCED ELECTRONIC CONTROL SYSTEM WITH 2 DISPLAYS.	ELECTRONIC WITH EASY TOUCH BUTTONS EC-3ZS R.3 TS	ELECTRONIC & PNEUMATIC

TOP SIDE ELECTRONIC CONTROL PANEL	MASTER ON/OFF	+	+	+/PNEUMATIC CONTROL	
	FILL	AUTOMATIC WITH AUTOMATIC WATER SANITATION SYSTEM.	MANUAL WITH AUTOMATIC WATER TEMPERATURE CONTROL	MANUAL	
	DRAIN	SEMI-AUTOMATIC/POP-UP DRAIN WITH AUTOMATIC WATER SANITATION SYSTEM	-	-	
	OZONE	+	+	OPTION W/PNEUMATIC CONTROL BUTTON	
	LIGHTS	SYNCHRONIZED 6- MODES UNDERWATER LIGHTS	4 UNDERWATER LIGHTS, 9 LED EACH	2 UNDERWATER LIGHTS, 9 LED EACH	2 UNDERWATER LIGHTS, 9 LED EACH
		TOP SIDE ELECTRONIC CONTROL PERIMETER ACCENT EXTRA BRIGHT LED(S) WITH CONTROL BUTTONS	28PC. (3LED EACH). 84PCS.TOTAL.	N/A	N/A
		TOP SIDE ELECTRONIC CONTROL BUTTONS LED(S)	52PCS.	7PCS.	N/A
		11 EXTRA-BRIGHT CONTOUR MINI-LIGHTS 3 LED EACH	OPTION	-	-
		MANUAL MASSAGE MODE	+	+	PNEUMATIC ON/OFF

TOP SIDE CONTROL PANEL	MAIN WATERFALL WITH INDIVIDUAL CONTROL VALVE	+8" ALL BRASS CHROME PLATED. TOP MOUNTED	+3½" ALL BRASS CHROME PLATED TOP MOUNTED	+8" BUILT-IN ABS WHITE.
	LATERAL WATERFALLS WITH INDIVIDUAL CONTROL VALVES	+ WITH ELECTRONIC CONTROL AND 2PCS. CONTROL VALVES	OPTION	OPTION
TOP SIDE CONTROL PANEL	THERAPY ZONES	3+1	3	-
	TOTAL BODY MASAGE	+	+	+
	AIR MASSAGE ON/OFF WITH HEATED AIR,	+	+	+
	TEMPERATURE DISPLAY	+	+	-
	TIME DISPLAY			
AUTOMATIC TEMPCONTROL SYSTEM		+	+	-
INTEGRATED AROMATHERAPY SYSTEM		+	+	+
MARINE GRADE STEREO SYSTEM	CD PLAYER / AM\FM RADIO	OPTION	OPTION	OPTION
	SPEAKERS (60W EACH)	2 OPTION	2 OPTION	2 OPTION
	REMOTE CONTROL	N/A	N/A	N/A
HAND SHOWER (TEMPERED WATER) WITH INDIVIDUAL CONTROL VALVE		+ RETRACTABLE HAND SHOWER	+ DECK- MOUNTED HAND SHOWER WITH INDIVIDUAL CONTROL VALVE. UPGRADE TO RETRACTABLE HAND SHOWER AVAILABLE	
CHROME PLATED GRAB BARS		+	+	+
CONTOURED HEAD SUPPORT		+	+	+
HAND WAND FOR UNDERWATER MASSAGE		OPTION	OPTION	OPTION

CARTRIDGES FOR AROMATHERAPY		SET OF 4 PCS	SET OF 4 PCS	SET OF 4 PCS
«TROPICAL MIST»/FOG SYSTEM		OPTION	N/A	N/A
VENTURI SYSTEM JETS	TOTAL WATER/AIR VENTURI JETS	10	10	10
	OZONE JET FOR WATER SANITATION AND OZONE THERAPY TREATMENTS.	1	1	OPTION
	INDIVIDUAL AIR CONTROLS FOR UNDERWATER VENTURY MASSAGE JETS.	+	+	+
AIR JETS	TOTAL AIR JETS WITH HEATED AIR AND ADJUSTABLE INTENSITY	15PCS X 5 = 75 AIR CHANNELS	15PCS X 5 = 75 AIR CHANNELS	15 X 5 = 75 AIR CHANNELS
	LOW BACK, THIGHS, LEGS, FEET	15PCS X 5 =75 AIR CHANNELS	15PCS X 5 =75 AIR CHANNELS	15 X 5 = 75 AIR CHANNELS
#	FEATURE			
1	OPTIONAL SET OF AROMATHERAPY CARTRIDGES (4PCS)			
2	INTEGRATED OZONE SYSTEM			
3	SIDE RAIL WATERFALLS WITH INDIVIDUAL CONTROL VALVES/CHEST & BELLY MASSAGE SYSTEM, SET OF 2 (FOR MODELS A-170 MA-05/MB-05/MC-05)			
4	MARINE GRADE STEREO SYSTEM (FOR MODELS A-170 MA-05/MB-05/MC-05) - HIGH POWER CD PLAYER - AM/FM RADIO - SPEAKERS 60W EACH (2PCS)			
5	11 EXTRA –BRIGHT MINI-LIGHTS PLACED AROUND TUB BODY			
6	8” SPECIAL DESIGN CHROME PLATED WATERFALL FOR FILLING TUB			
7	ARMS AND HANDS AIR MASSAGE JETS (5PCS ON EACH SIDE)			

CHAPTER 2. PHOTO GALLERY.
**“ECONOMY DE-LUXE” LUXURY HYDROTHERAPY TUBS FOR COMMERCIAL
AND RESIDENTIAL USE.**



RMS®

ECONOMY DE-LUXE "TR-190MA -05"





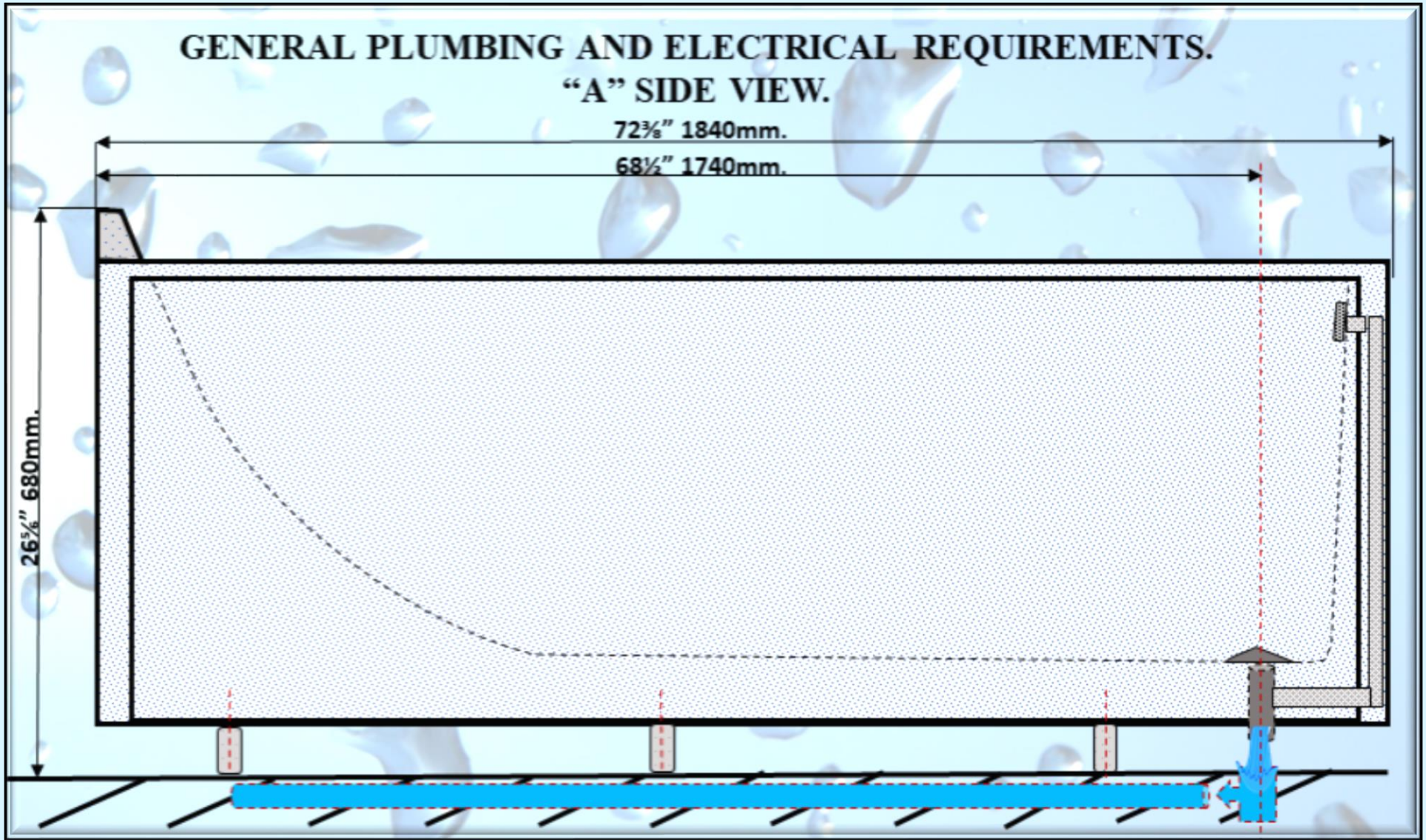
RMS[®] ECONOMY DE-LUXE "TR-190MA -05"

GENERAL PLUMBING AND ELECTRICAL REQUIREMENTS. "A" SIDE VIEW.

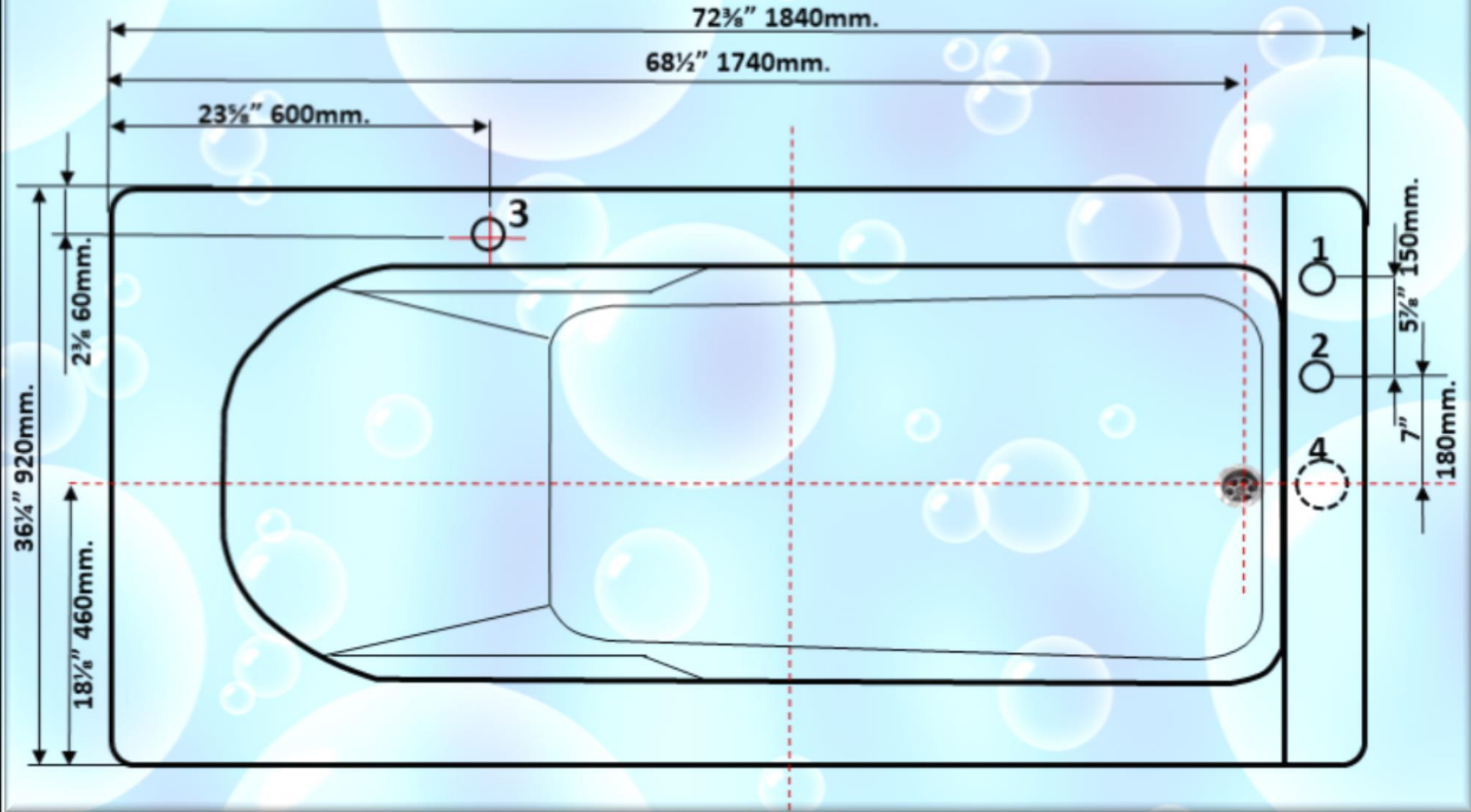
72 $\frac{3}{8}$ " 1840mm.

68 $\frac{1}{2}$ " 1740mm.

26 $\frac{5}{8}$ " 680mm.



GENERAL PLUMBING AND ELECTRICAL REQUIREMENTS. "B" TOP VIEW.



GENERAL PLUMBING REQUIREMENTS.

1-2. WATER SUPPLY PIPES.

- **1-2. 3/4" X CLOSE MPT (ABOVE FINISHED FLOOR) COLD/HOT WATER SUPPLY PIPES.**
- **THE SUPPLY PIPES MUST BE PROTECTED BY BACK-FLOW PREVENTORS/CHECK VALVES (PROVIDED WITH THE TUB) AS REQUIRED BY LOCAL CODES.**
- **SHUT-OFF VALVES ON BOTH HOT AND COLD-WATER LINES ARE RECOMMENDED AND SHOULD BE LOCATED DIRECTLY UNDER THE TUB OR WITHIN THE TUB ROOM.**
- **DEDICATED COLD WATER: 3/4" MPT X CLOSE" (ABOVE THE FINISHED FLOOR).**
- **DEDICATED HOT WATER: 3/4" MPT X CLOSE" (ABOVE THE FINISHED FLOOR).**

FLOOR DRAIN REQUIREMENTS.

- **FLOOR DRAIN FIXTURE REQUIREMENTS: 2" (50MM).**
- **FLOOR DRAIN FLOW PER MINUTE REQUIREMENTS: APP. 65 GPM/250L/MIN.**
- **TUB'S DRAIN CONNECTION IS BY MEANS OF THE 1 1/2" RIGID PLASTIC PVC PIPE.**
- **NOTE: ON-SITE DRAIN AIR GAP CONNECTION TYPE RECOMMENDED.**
- **TUBS COME WITH 1 1/2" DRAIN. A FLOOR DRAIN OR SUMP PUMP MUST BE PROVIDED BY OWNER. SEE THE DRAWINGS OF RECOMMENDED DRAIN TYPES IN THE INSTRUCTION MANUAL.**
- **CENTER THE TUB OVER THE FLOOR DRAIN/MAIN DRAIN WITH ODOR TRAP Ø 70(100) MM. AND ADDITIONAL SIDE INLET Ø 50MM, USED AS AN AUXILIARY ROOM DRAIN SIMULTANEOUSLY WITH MAIN DRAIN RECOMMENDED.**

- **SPECIAL NOTE: IF ANY TYPE OF THICK-WALL PLASTIC PIPES IS USED, SIZE IT UP TO AVOID SIGNIFICANT PIPE ID REDUCTION, WHICH WOULD NOT PROVIDE ENOUGH WATER FLOW FOR THE SYSTEM. DO NOT USE ANY TYPE OF SPIGOT TYPE FITTINGS, WHICH ARE INSTALLED INSIDE THE PIPE PORT. IT WILL REDUCE THE INTERNAL PIPE DIAMETER AND WATER FLOW CORRESPONDINGLY.**

GENERAL ELECTRICAL REQUIREMENTS.

- NORTH AMERICA, TWO-PHASE. MODELS ONLY FOR USE WITH: U.S. 240V, 60HZ, SUPPLY – TWO PHASES EACH OF 120V TO GROUND).
- NORTH AMERICA, TWO-PHASE.
- TERMINAL MARKED “L1” = LIVE 1
- TERMINAL MARKED “L2” = LIVE 2
- GROUND BUSSBAR/LUG MARKED “GROUND /SL”= GROUND
- VOLTAGE 240V,
- CURRENT 15A L1/L2/SL,
- FREQUENCY 60Hz,
- PHASES 2
- NORTH AMERICA SUPPLY ONE PHASE: 110V/60HZ, CURRENT 15A.
- CABLE#10AWG (5.3MM2) 3-WIRE DRY AND WATER-RESISTANT CABLE COPPER STRANDED WIRES, 700MM.

- INTERNATIONAL 220/50HZ, SINGLE PHASE.
- TERMINAL MARKED “L1” = LIVE (PHASE)
- TERMINAL MARKED “N” = NEUTRAL
- GROUND BUSSBAR/LUG MARKED “GROUND /SL” = EARTH/GROUND
- VOLTAGE 240V, CURRENT 15A L1/N/SL, FREQUENCY 50Hz, PHASES: 1
- CABLE: #10AWG (5.3MM2) 3-WIRE DRY AND WATER-RESISTANT CABLE COPPER STRANDED WIRES, 700MM.

- THE BRANCH CIRCUIT SUPPLYING THIS SYSTEM MUST BE PROVIDED WITH A MAINS DISCONNECT ALL POLE AND PROTECTED BY A “CLASS A” DEDICATED GROUND FAULT CIRCUIT INTERRUPTER(GFCI) ALL POLE, INSTALLED, LOCATED AND MOUNTED IN ACCORDANCE WITH LOCAL AND NATIONAL ELECTRICAL CODES. NOMINAL FAULT CURRENT MAX. 30MA. OUTSIDE OF NORTH AMERICA, A GFCI MAY BE REFERRED TO AS AN EARTH LEAKAGE CIRCUIT BREAKER. THE ELCB SHOULD HAVE A MAXIMUM OPERATING TRIP CURRENT OF 30 MILLIAMPS).



**SPECIFICATIONS. HYDROTHERAPY TUBS FOR COMMERCIAL AND RESIDENTIAL USE
ECONOMY DE-LUXE SERIES.**

FEATURE		TR-190 MA-05	TR-190 MB-05	TR-190 MC-05	
TUB DIMS		72" (L) X 36" (W) X 27" (H) 184CM (L) X 92CM (W) X 68CM (H)	72" (L) X 36" (W) X 27" (H) 184CM (L) X 92CM (W) X 68CM (H)	72" (L) X 36" (W) X 27" (H) 184CM (L) X 92CM (W) X 68CM (H)	
DIMS CRATED		75" (L) X 41" (W) X 37" (H) 191CM (L) X 104CM (W) X 94CM (H)	75" (L) X 41" (W) X 37" (H) 191CM (L) X 104CM (W) X 94CM (H)	75" (L) X 41" (W) X 37" (H) 191CM (L) X 104CM (W) X 94CM (H)	
CAPACITY		59 GAL/224 LITERS	59 GAL/224 LITERS	59 GAL/224 LITERS	
ADJUSTABLE FEET		6	6	6	
WATER PUMP 220V/60HZ OR 220V/50HZ		1.5 HP	1.5 HP	1.5 HP	
AIR BLOWER 110V/60HZ, 220V/50HZ OR 220V/50HZ		1 HP, 16 INTENSITY LEVELS, HEATED AIR	1 HP, 16 INTENSITY LEVELS, HEATED AIR	1 HP, 16 INTENSITY LEVELS, HEATED AIR	
FILL SPOUT		BRASS CHROME PLATED. SPECIAL DESIGN D-TYPE	BRASS CHROME PLATED. SPECIAL DESIGN D-TYPE	BRASS CHROME PLATED. SPECIAL DESIGN D-TYPE	
CONTROLS		ELECTRONIC WITH EASY TOUCH BUTTONS	ELECTRONIC WITH EASY TOUCH BUTTONS	ELECTRONIC & PNEUMATIC	
ELECTRONIC CONTROL PANEL	MASTER ON/OFF	+	+	+/PNEUMATIC CONTROL	
	FILL	MANUAL WITH AUTOMATIC TEMPERATURE CONTROL	MANUAL WITH AUTOMATIC TEMPERATURE CONTROL	MANUAL	
	DRAIN	-	-	-	
	OZONE	+	OPTION	OPTION	
	UNDERWATER LIGHTS	SYNCHRONIZED UNDERWATER LIGHTS	2 LIGHTS, 9 LED EACH 18 LED TOTAL	2 LIGHTS, 9 LED EACH 18 LED TOTAL	2 LIGHTS, 9 LED EACH 18 LED TOTAL
		CONTOURED EXTRA-BRIGHT MINI-LIGHTS	OPTION	OPTION	OPTION
	SIDE RAIL WATERFALLS WITH INDIVIDUAL CONTROL VALVES		+	OPTION	OPTION
	THERAPY ZONES		3+1	-	-
	TOTAL BODY MASAGE		+	+	+
	AIR MASSAGE ON/OFF WITH HEATED AIR, 16 INTENSITY LEVELS		+	+	+
TEMPERATURE DISPLAY		+	+	-	

FEATURE		TR-190 MA-05	TR-190 MB-05	TR-190 MC-05
AUTOMATIC TEMPCONTROL SYSTEM		+	+	-
INTEGRATED AROMATHERAPY SYSTEM		+	+	+
HAND SHOWER (TEMPERED WATER) WITH INDIVIDUAL CONTROL VALVE		+ RETRACTABLE HAND SHOWER	+ DECK- MOUNTED HAND SHOWER WITH INDIVIDUAL CONTROL VALVE. UPGRADE TO RETRACTABLE HAND SHOWER AVAILABLE	
CHROME PLATED GRAB BARS		+	+	+
CONTOURED HEAD SUPPORT		+	+	+
HAND WAND FOR UNDERWATER MASSAGE		OPTION	OPTION	OPTION
CARTRIDGES FOR AROMATHERAPY		SET OF 4 PCS	SET OF 4 PCS	SET OF 4 PCS
VENTURI MASSAGE SYSTEM	TOTAL WATER / AIR VENTURI JETS	10	10	10
	OZONE JET WITH ADJUSTABLE PRESSURE AND ON/OFF FUNCTION	1	OPTION	OPTION
AIR JETS	TOTAL AIR JETS WITH HEATED AIR AND ADJUSTABLE INTENSITY	15 X 5 = 75 AIR CHANNELS	15 X 5 = 75 AIR CHANNELS	15 X 5 = 75 AIR CHANNELS
	LOW BACK, THIGHS, LEGS, FEET	15 X 5 = 75 AIR CHANNELS	15 X 5 = 75 AIR CHANNELS	15 X 5 = 75 AIR CHANNELS
OPTIONS. ECONOMY DE-LUXE SERIES.				
SIDE RAIL WATERFALLS WITH INDIVIDUAL CONTROL VALVES/CHEST & BELLY MASSAGE SYSTEM, SET OF 2				
SET OF AROMATHERAPY CARTRIDGES (4PCS)				
INTEGRATED OZONE SYSTEM				